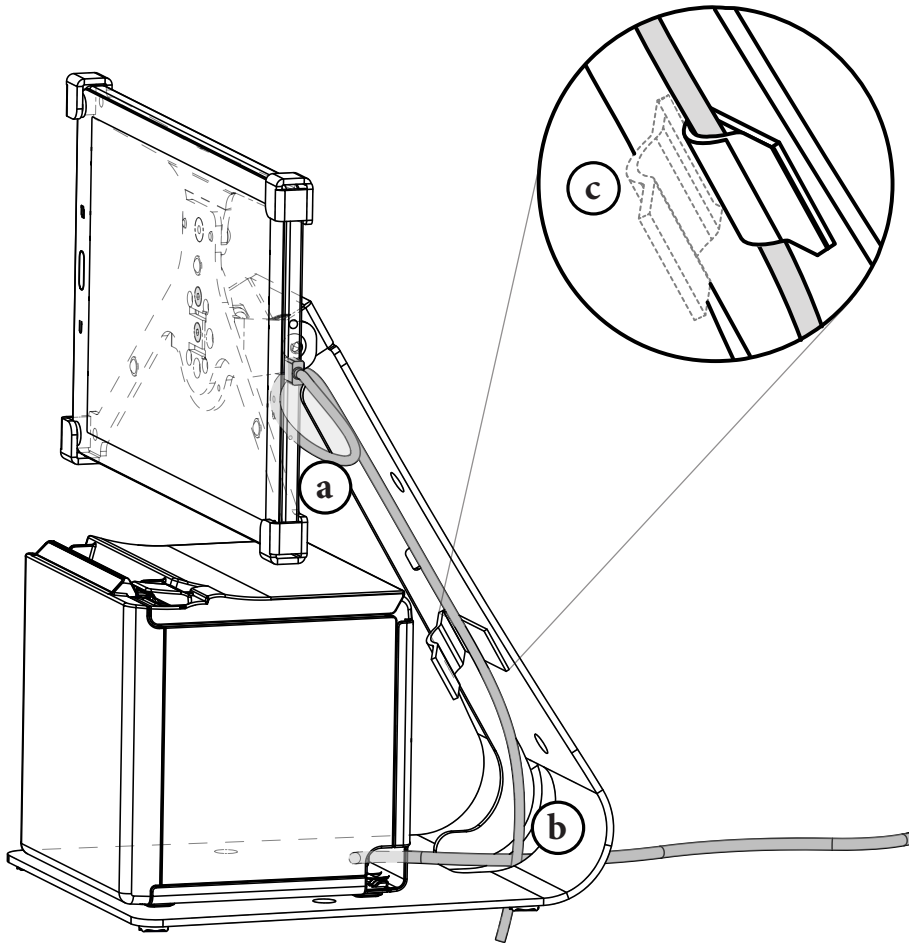
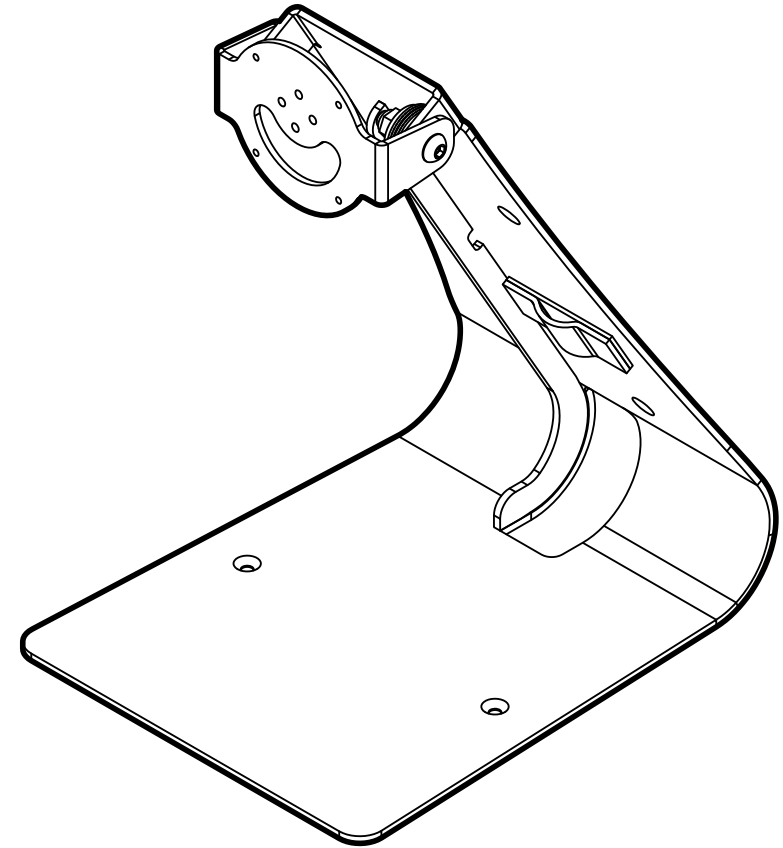


3 Cable management

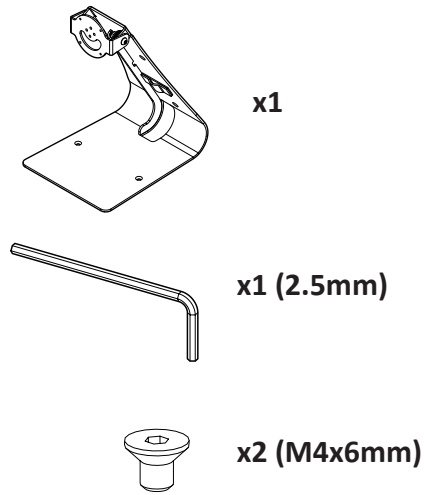
- a Route cable from tablet to TabPrint Curve
- b Route cables out through the rear or bottom of TabPrint Curve
- c Use supplied hook&loop velcro to organise cables



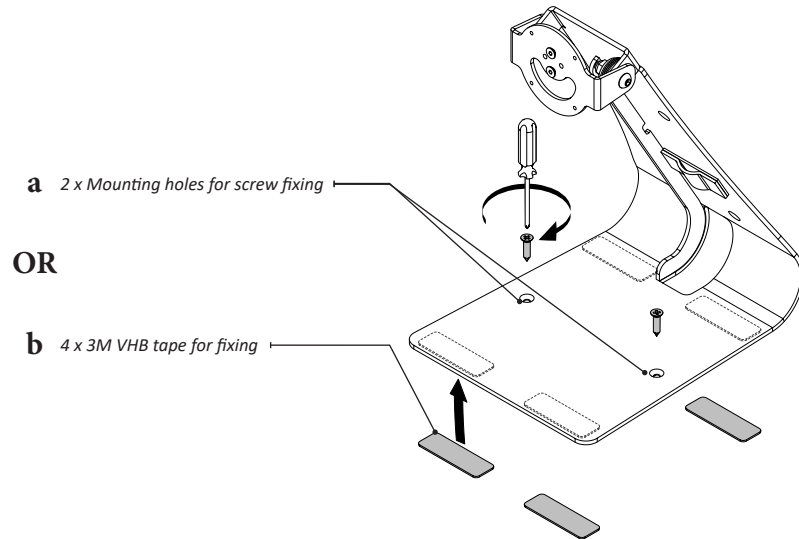
SpacePole TabPrint Curve Installation Guide



Box Content

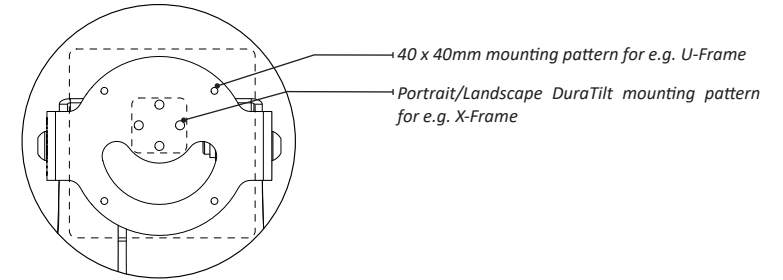


1 Fix TabPrint Curve to surface



NB: Screws & 3M VHB tape are not included

2 Mounting options for TabPrint Curve



3 Example for X-Frame installation

Mount X-Frame bottom part using the 2 x M4x6mm screws and tighten using supplied 2.5mm Allen Key.

Final X-Frame assembly

⚠ Do NOT use M4x10mm screws supplied with X-Frame

